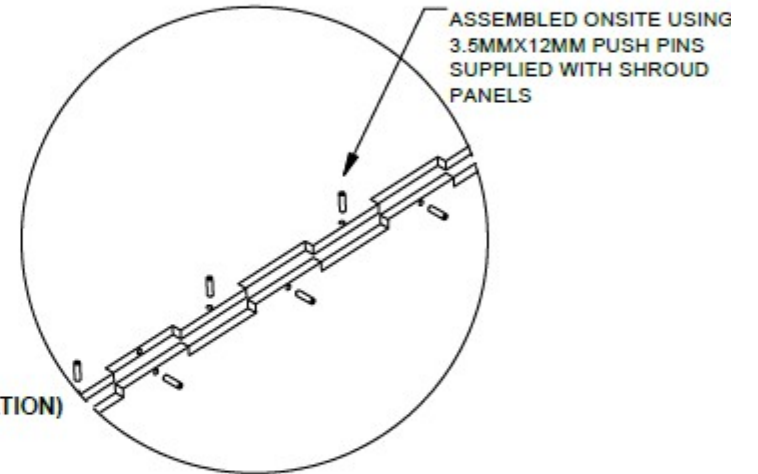


NOTE: TOP PANELS TO BE INSTALLED FIRST !

INSTALLATION PROCEDURE:

1. FIX TOP PANEL A TO STRUCTURE USING HOLES ON MOUNTING FLANGE.
2. CONNECT TOP PANEL B TO TOP PANEL A USING 'FISH PLATE' AND SELF-TAPPING SCREWS AS SHOWN ON 'DETAIL A' BELOW.
3. FIX TOP PANEL B TO STRUCTURE USING HOLES ON MOUNTING FLANGE.
4. INSERT PUSH PINS HALFWAY INTO PIN HOLES ON TOP PANEL A & TOP PANEL B AS SHOWN ON 'DETAIL B' BELOW.
5. ATTACH SIDE PANEL A (OR SIDE PANEL B) TO TOP PANEL.
6. FULLY INSERT PUSH PINS AS SHOWN ON 'DETAIL B' BELOW.
7. FIX SIDE PANEL TO STRUCTURE USING HOLES ON MOUNTING FLANGE.
8. REPEAT STEPS ABOVE FOR INSTALLATION OF OTHER PANELS.

**DETAIL B
(PUSH PIN INSTALLATION)**



**ASSEMBLE FISH PLATE VIA
SELFTAPPING SCREWS**

**FISH PLATE CAN MOUNT
ON TOP OR BOTTOM**

**DETAIL A
(FISH PLATE INSTALLATION)**

**SELFTAPPING SCREWS
SUPPLIED WITH SHROUD**

