



EZ Windows Shrouds [Click here to order online](#)



Melbourne's Leading Providers of Aluminium Window Shrouds & Cutting-Edge Sheet Metal Fabrication

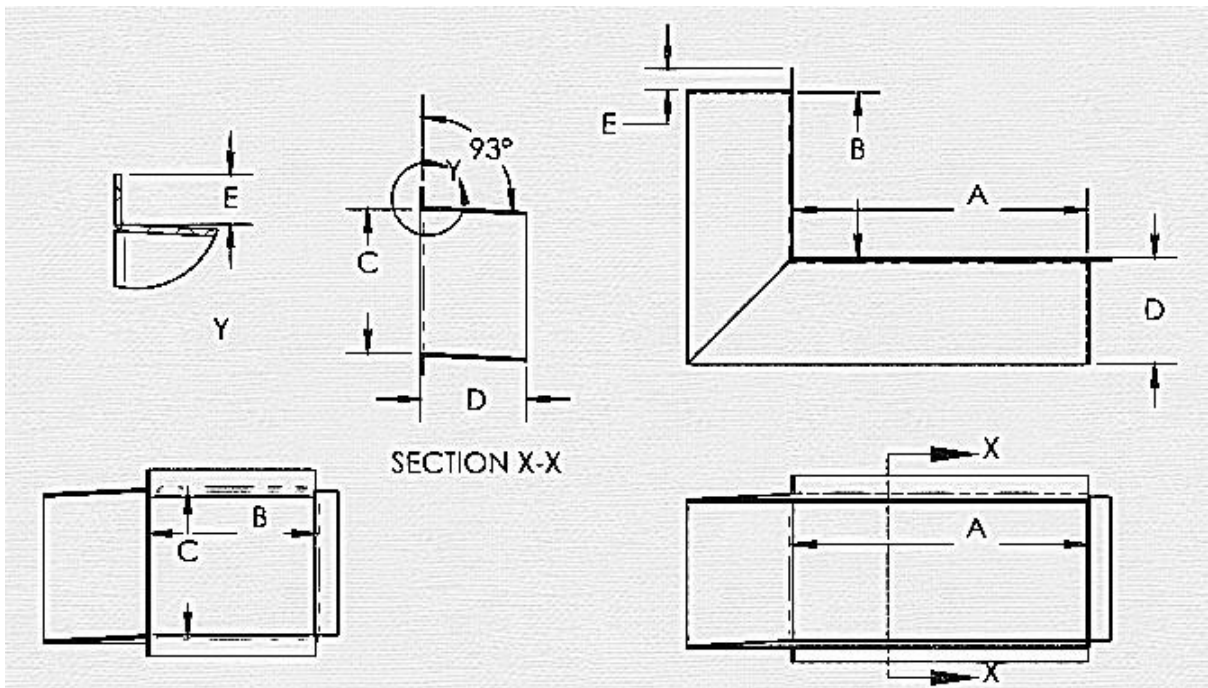
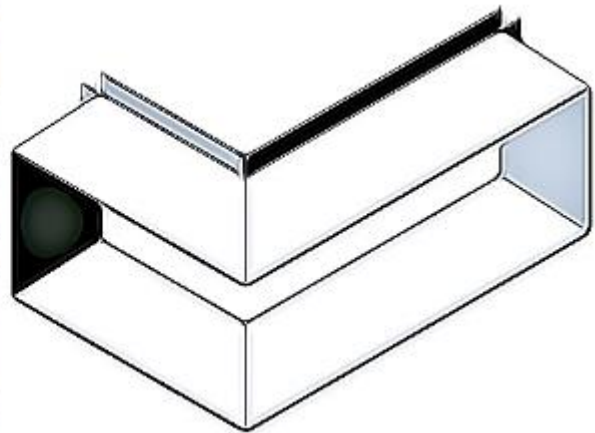
EZ Windows make it easy to get a quote and place an order in just 3 minutes!

Whatever the shape or size of the shroud, you can jump onto our online portal and get a quote and place an order in just 3 minutes from anywhere and anytime.

All orders are confirmed with technical details on a shop drawing for your approval prior to manufacture. This way you can be sure that your individual requirements are achieved.

We also offer the services of delivery to site and installation where required.

[Click here to order online](#)



We also offer the best lead time in the industry on shroud supply and or installation.

Protective Window Shrouds in Melbourne

EZ Windows aluminium window shrouds provide shade, privacy, and protection from the elements, while also adding an architecturally unique and visual element to your building's exterior.

This feature of modern architecture adds striking aesthetic appeal, depth and style to your project, while also being a practical design choice with a range of benefits. Our specialist team relies on their years of expertise with particular attention to detail and precision engineering, so you end up with a sleek, quality finish every time.

Aluminium Window Shrouds Provide Visual Appeal

By providing premium laser cutting services along with welding, folding, powder coating and CAD design services, we engineer our window shrouds to precision so that they can weather the elements and stand the test of time for your peace of mind.

Our manufacturing team selects and works with the highest quality materials to achieve a premium result. Our welders join materials together for a seamless finish and smooth edges.

Looking for something a bit more specialised? We custom design our aluminium window shrouds in various shapes and sizes to suit your specifications to keep with current design trends. Simply measure up, then provide us with the dimensions so we can tailor a high-quality configuration to suit your purposes.

Benefits of Installing a Window Shroud

Our designs are perfectly suited to the harsh Australian climate, providing shade and protection from the blistering afternoon sun. The shade that these provide will effectively manage and reduce direct heat entering your home, keeping inside temperatures much more comfortable.

Aluminium is an ideal material for this kind of application as it is naturally corrosion-resistant, long-lasting and requires very little maintenance. It is also flexible, durable and lightweight, while being incredibly malleable.

The added benefit is that you will also enjoy greater privacy in your home by blocking off some of the view through the window.



SPECIFICATIONS

- ✓ **Option of Aluminium or Steel (Aluminium 5005 H34 used unless otherwise specified)**
- ✓ **Thickness of Aluminium, 6mm to 12mm**
- ✓ **Options of ether flat or 3 degree fall**
- ✓ **Shop drawings for approval**
- ✓ **Various shapes and sizes all custom built to specification**

Premium Sheet Metal Fabrication and Welding

EZ Windows is an Australian-owned family business dedicated to providing high-quality solutions. With over 78 years in the industry, we have the expertise and experience required to help you complete your project and get the job done on time.

From steel and aluminium metal fabrication and welding, we offer a range of full-scale manufacturing, production and finishing services.

If you are looking to upgrade your abode with a more modern look EZ Windows have the solution for you. We also manufacture and custom design corten steel planters to suit your specifications.



Whatever the size of your project, there's no request too big or small. EZ Windows have the capacity to accommodate both small-scale and large commercial projects.

Should you require any further tips or advice, get in touch with our team today **on (03) 8581 2000**.

We're more than happy to assist you and lend our expertise in order to achieve a quality outcome that stands the test of time.

[Click here to order online](#)

Contact us

Got a question? We'd love to hear from you. Send us a message and we'll respond as soon as possible.



237 Governor Rd Braeside
3195 Victoria, Australia



0385812000
Mon – Fri, 8:00am – 4:00pm



admin@ezwindows.com.au